

KVM 34 X

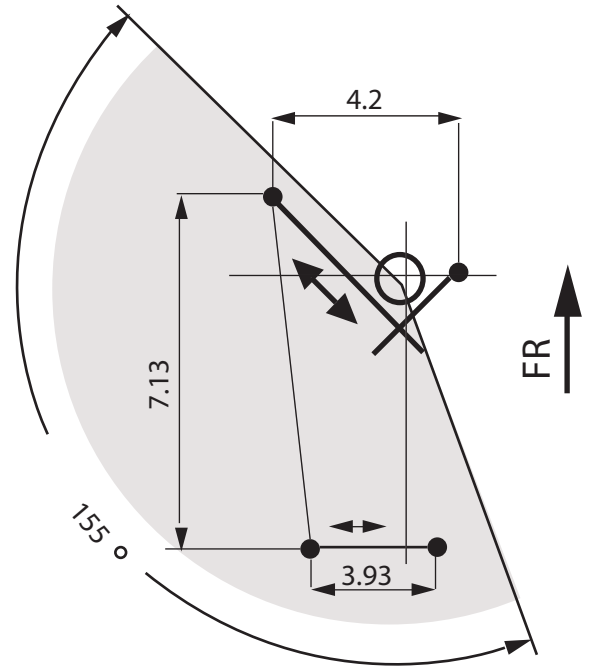
Pump battery	Output m ³ /hmax.	pressure bar
P 2023-6	161	85

max output and max pressure cannot be reached simultaneously
 * not permissible when pumping through boom pipe

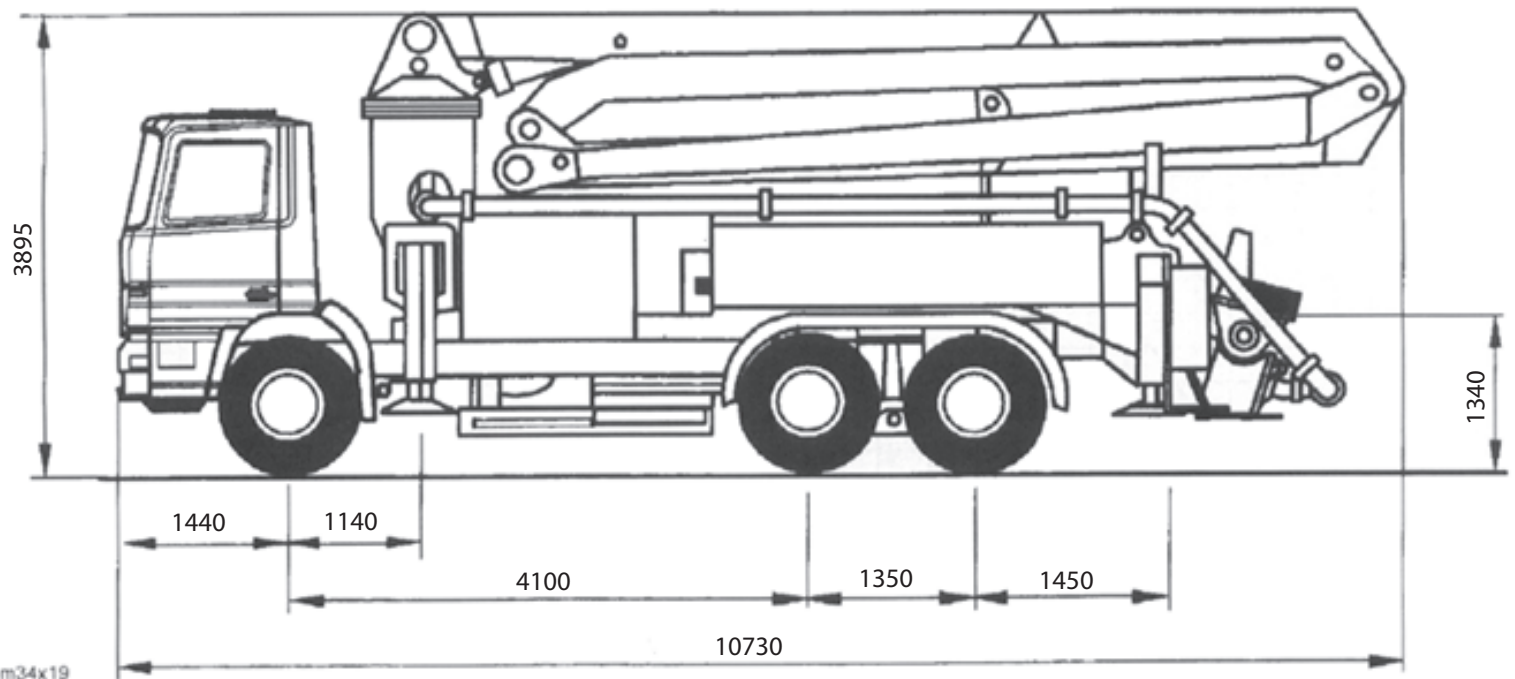
Placing boom		KVM 34 X
Delivery line diameter	∅	DN 125
Length of end hose	m	4
Vertical reach	m	34
Horizontal reach from center of rotation	m	30
Slewing range		550 °

Optional:

EASy - the Enhanced Access System for SCHWING truck mounted concrete pumps.
 Optimum flexibility with minimum space requirement on site.
 High level of tested safety acc. Category 3 of EN954-1 and with certification from German BIA (liability insurers).



EASy possible on both sides
 Reduced footprint "right" as above mirror inverted



The placing boom: roll-and-fold system, X-type stabilizers only 6.2 m wide at front, vertical reach 34 m!

Working range
KVM 34 X

